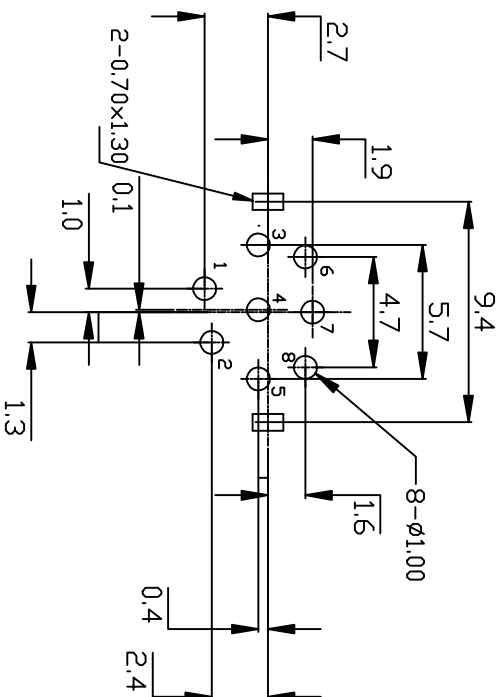
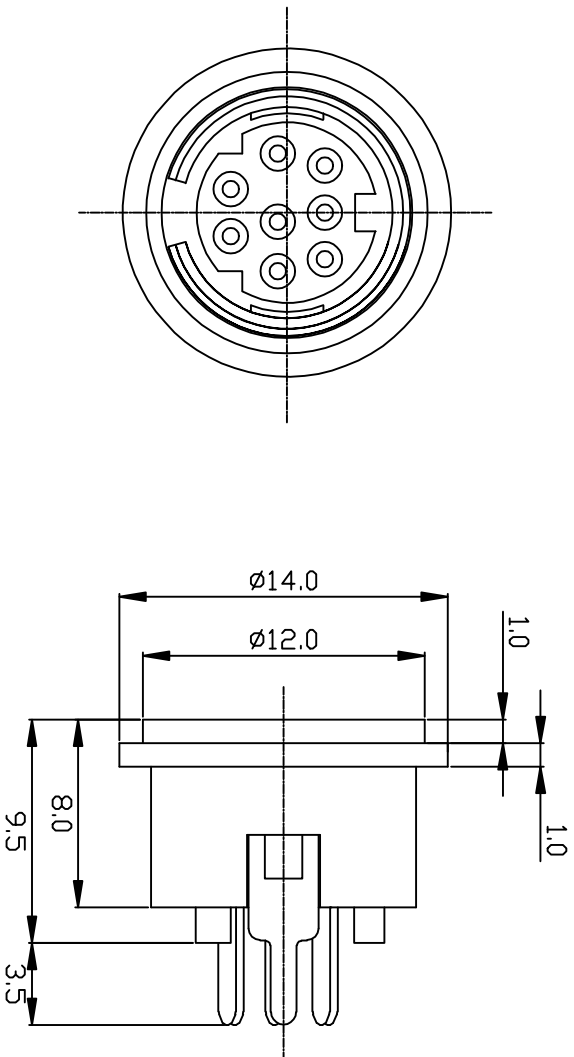


SNAP AND LOCK



P.C.B LAYOUT
(BOTTOM VIEW)

SCHEMATIC	ARRANGEMENT OF CONTACTS	NO OF CONTACTS	MODEL NO
		3	MDJ-3V
		4	MDJ-4V
		5	MDJ-5V
		6	MDJ-6V
		7	MDJ-7V
		8	MDJ-8V

10	Housing	PBT	Black	1
9	9v	Brass	Matte Tin Plated	1
1-8	Contact	Copper Alloy	Silver Plated	3-8
ITEM	NAME	MATERIAL	FINISH	SUM

ROHS COMPLIANT
EU Directive 2002/96/EC

SAMLUNG INDUSTRIAL LTD.

TOLERANCES	Model Name:	MINI DIN JACK
X. ± 0.5	Model No:	MDJ-(3-8)V-000-41-L
X.X ± 0.3	FILE:Reserved\1\Samsung\MDJ\MDJ-V\PRODUCT\MDJ-(3-8)V-000-41-L	
X.XX ± 0.15	SCALE: Full	DATE: 2018-3-2
ANGLE: ±3°	UNIT MM	DRAW JC.Liu
REVISION: A	DWG NO: 2018-PD-0300	CHECK SD.Wu
		DESIGN: SW.Wu

SYMBOL	REVISION	APPROVAL	DATE